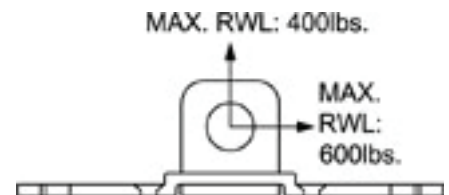
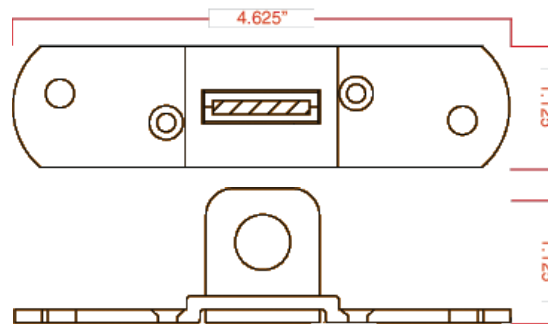




TheatricalHardware.com

Innovative Solutions

90° Shackle Plate™ Part # 2020



*Maximum
Recommended Working Load
(MAX. RWL)*

Made from heavy-gauge steel and pre-drilled for assembly with two 1/4" bolts. Mounts easily to the side-stiles of any wood or metal flat.

There are five unique designs in the Shackle Plates™ line. Each one allows you the freedom of choice as you design the rigging requirements of your scenery, as well as meeting the changing needs of every production.

Choose the best suited Shackle Plate™ for your project and simply attach it by bolting to the lowest point of the scenery directly in line with the Keeper Plate™ that you have bolted to the top of the scenery. The cable line used to suspend the scenery is attached to the Shackle Plate™ and then run through the Keeper Plate's™ eye opening and finally onto the suspending point.